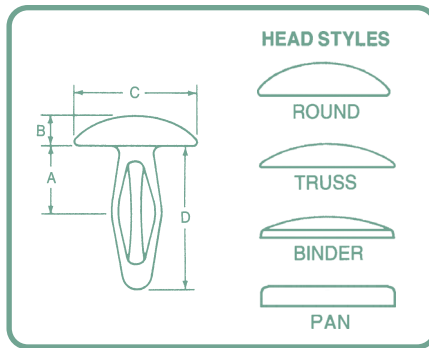
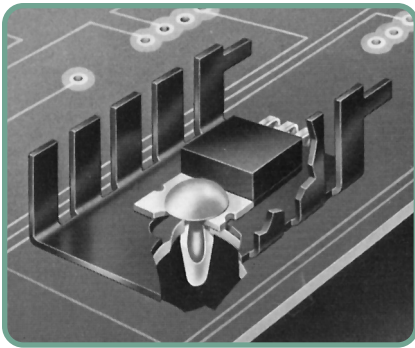




Dugouts



Low cost replacement for screws and rivets. Dugouts snap into round holes securely holding in metal, plastic and a variety of materials. Ideal for assembling gaskets, nameplates and light-weight panels to other panels and components.

Installation: As fastener is pushed into hole, hollow prong compresses, returning to its original shape once it passes through hole.

Part No.	Head Style	Panel Hole Diameter*	A Panel Thickness Range	B Head Height	C Head Diameter	D Prong Length
MB 18	Binder	.123 -.127	.080 -.100	.045	.275	.330
254-090401-00	Round	.131 -.141	.060 -.090	.150	.406	.275
254-090501-00	Round	.131 -.141	.080 -.125	.100	.406	.365
254-090501-01	Round	.131 -.141	.080 -.125	.100	.300	.365
254-090601-00	Round	.131 -.141	.115 -.160	.100	.406	.437
254-090601-01	Round	.131 -.141	.115 -.160	.100	.300	.437
254-090301-00	Round	.135 -.140	.060 -.070	.060	.300	.300
254-120601-00	Truss	.182 -.192	.100 -.160	.060	.375	.437
254-160801-00	Truss	.240 -.260	.095 -.218	.055	.500	.630
254-160801-01	Truss	.240 -.260	.095 -.218	.090	.875	.630
254-160801-03	Truss	.240 -.260	.095 -.218	.055	.750	.630
254-160801-02	Pan	.240 -.260	.095 -.218	.060	.450	.460

Colours: Add suffix 0101 for natural nylon 6 or suffix 0075 for black.

NOTE: When installing Dugouts:

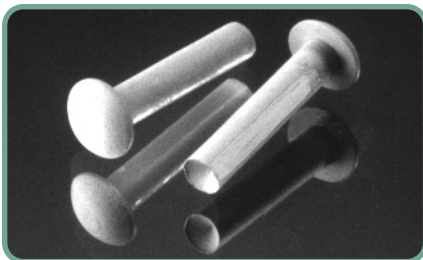
1. It is desirable that the burr side of hole be opposite Dugout entry.
2. The surface condition of the hole edge has a definite bearing on the ease with which a Dugout can be inserted and how well it will fit and hold. Indicated hole sizes are final, i.e.: after painting, enameling, etc. For hole sizes that will provide the best combination of easy installation and secure fit, the following can serve as a general guide:

SURFACE CONDITION

	*HOLE SIZE
Porcelain.....	Low end of indicated range
Enamel.....	Slightly below middle of indicated range
Paint.....	Middle of indicated range
Plastic panel.....	Middle of indicated range
Raw metal.....	High end of indicated range



Moulded Acetal Rivets



As well as a fastening device, moulded rivets can also be used for glides, feet, insulators, etc.