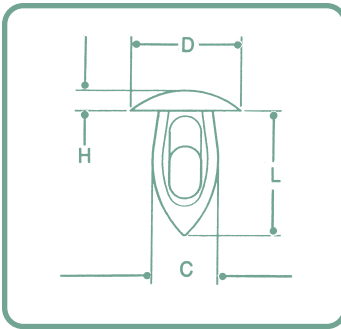
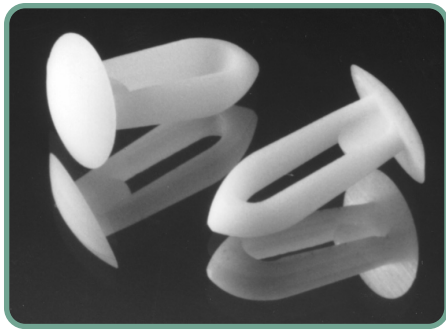




Belly Buttons



Reusable push-in fasteners for metal, wood, plastic, or any thin-gauge materials. Made of nylon, they resist vibration, abrasion, corrosion, and may be used for electrical insulating.



Part No.	Hole Size	Chassis Thickness	D	H	C	L
BB 0	.062 -.065	.010 -.031	.100	.020	.068	.125
BB 27	.062 -.065	.010 -.031	.100	.020	.068	.187
BB 22	.085 -.090	.032 -.107	.125	.030	.107	.187
BB 15	.118 -.122	.062 -.125	.280	.060	.150	.390
BB 20	.120 -.135	.062 -.125	.270	.040	.140	.330
BB 13	.130 -.132	.125 -.140	.276	.070	.162	.318
BB 1	.131 -.135	.062 -.125	.280	.070	.160	.390
BB 14	.145 -.150	.290 -.300	.280	.070	.196	.530
BB 3	.151 -.161	.062 -.125	.280	.040	.196	.390
BB 4	.151 -.161	.062 -.145	.280	.080	.18	.400
BB 18	.160 -.165	.032 -.125	.280	.080	.186	.400
BB 5	.182 -.192	.062 -.125	.370	.060	.225	.420
BB 11	.182 -.192	.165 -.185	.380	.060	.206	.518
BB 6	.182 -.192	.310 -.330	.370	.060	.225	.550
BB 28	.192 -.212	.062 -.125	.375	.060	.235	.450
BB 12	.195 -.200	.035 -.065	.370	.060	.225	.350
BB 7W	.213 -.223	.062 -.187	.625	.100	.248	.492
BB 7L	.213 -.223	.125 -.187	.500	.080	.240	.540
BB 7	.213 -.223	.125 -.187	.370	.060	.240	.540
BB 8	.213 -.223	.062 -.125	.370	.060	.225	.450
BB 26	.240 -.260	.095 -.218	.750	.055	.281	.632
BB 9	.250 -.260	.125 -.187	.484	.060	.290	.575
BB 21	.250 -.260	.125 -.250	.500	.050	.280	.630
BB 16	.250 -.260	.360 -.380	.610	.065	.290	.810
BB 24	.250 -.260	.500 -.750	.610	.068	.287	1.135
BB 17V	.310 -.325	.062 -.215	.540	.095	.360	.630
BB 17	.320 -.335	.062 -.340	.683	.070	.375	.900
BB 29	.330 -.340	.125 -.350	.475	.070	.370	.895
BB 19	.330 -.340	.125 -.350	.685	.070	.375	.895
BB 23	.335 -.345	.062 -.140	.866	.050	.370	.458

Minimum order 1000.

Other sizes available: Minimum order 50,000.