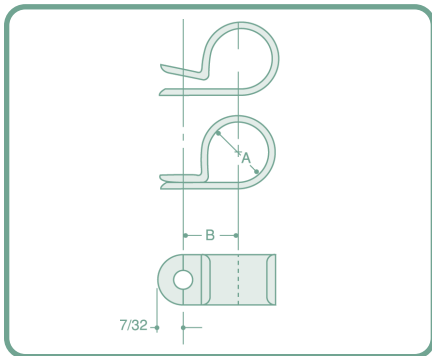


# Nylon Cable Clamps



Cable clamps now also available in narrower (5/32" wide) format as well as wider (7/8") from 1/16" to 3/8" diameter.

Part No.		Mounting Hole Dia.	A	B
Black	White			
<b>Light Duty—3/8" wide, .050" thick</b>				
3362	3312	.170	1/8	.343
3363	3313		3/16	.378
3364	3314		1/4	.421
3365	3315		5/16	.441
3366	3316		3/8	.464
3367	3317		7/16	.500
3368	3318		1/2	.530
3352	3302		.203	1/8
3353	3303	3/16		.378
3354	3304	1/4		.421
3355	3305	5/16		.441
3356	3306	3/8		.464
3357	3307	7/16		.500
3358	3308	1/2		.530
<b>Heavy Duty—1/2" wide, .060" thick</b>				
3372	3322	.203	1/8	.384
3373	3323		3/16	.410
3374	3324		1/4	.437
3375	3325		5/16	.474
3376	3326		3/8	.500
3377	3327		7/16	.533
3378	3328		1/2	.553
3379	3329		9/16	.603
3380	3330		5/8	.625
3381	3331	11/16	.665	
3382	3332	3/4	.699	
3383	3333	13/16	.765	
3384	3334	.203	7/8	.795
3390	3340		1	.825
3392	3342		1-1/8	.940
3393	3343		1-3/16	.963
3394	3344		1-1/4	.980
3396	3346	1-3/8	1.045	
3398	3348	1-1/2	1.114	



Recognized under the Component Program of Underwriters Laboratory File #E-54523

Conform to the following Mil spec: Mil Std 24E, Mil C-21565 (NAS), Mil P-17091-B