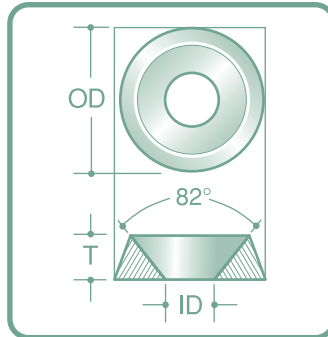
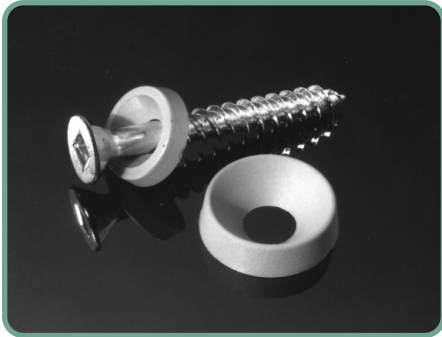


Nylon Finishing Washers



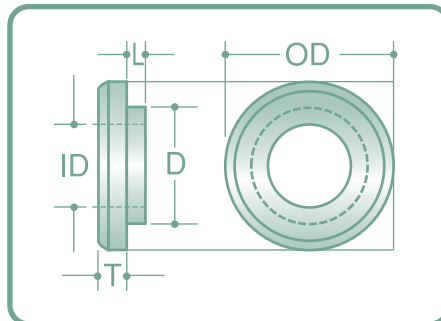
These washers protect cabinets from scratching, cover misaligned holes, etc. May also be used as glides, bumpers, feet and spacers.

Part No.	ID	OD	T
SFW 6	.143	.437	.100
SFW 8	.171	.515	.115
SFW 10	.191	.580	.152
SFW 25	.251	.683	.183

Minimum order 1000.

Nylon Shoulder Washers

STANDARD



Part No.	ID	OD	T	D	L
SW 2	.093	.250	.040	.156	.040
SW 4	.122	.281	.040	.187	.040
SW 6	.146	.328	.040	.218	.040
SW 8	.174	.375	.050	.250	.050
SW 10	.201	.437	.050	.281	.050
SW 1/4	.260	.562	.060	.375	.060
SW 3/8	.385	.750	.060	.500	.060

Minimum order 1000.