



Nylon Cable Ties

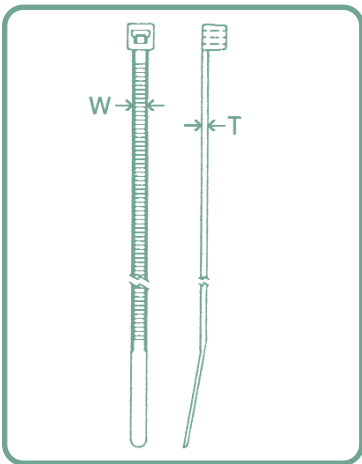
VALUE-LINE – REGULAR



The widest line of versatile self-locking nylon cable ties for standard and heavy duty, regular and mounting applications. Value-Line ties securely bundle cables, wires and hoses from 1/16" to 15" diameters. They assemble easily by hand, or you may wish to tighten and trim them with our tensioning tools (see page 163).

These non-releasable nylon cable ties are chemically resistant to salt water, weak acids, alcohol, grease, oil, gasoline and common solvents and they are fungus inert. Black ultraviolet resistant material for outdoor use is also available.

All our ties and installation tools are compatible with all other manufacturers' standard ties and tools.



Part No.	Approx. Length	Maximum Bundle Dia.	W Width	T Thickness	Min. Tens. Strength	Minimum Order Qty.
----------	----------------	---------------------	---------	-------------	---------------------	--------------------

Standard Duty (1/16 min. Bundle Dia.)

VNT4-18	4	7/8	.094	.042	18	1,000
VNT6-18	6	1-3/8	.094	.042	18	1,000
VNT8-18	8	2	.094	.042	18	1,000
VNT5-30	5-1/2	1-1/4	.130	.045	30	1,000
VNT8-40	8-1/2	2	.14	.049	40	1,000
VNT7-50	7	1-3/4	.18	.053	50	1,000
VNT11-50	11	3	.18	.053	50	500
VNT14-50	14	4	.18	.053	50	500

Heavy Duty (3/16 min. Bundle Dia.)

VNT8-120	8	2	.30	.075	120	500
VNT14-120	14-1/4	4	.30	.075	120	100
VNT18-120	18	4-7/8	.30	.075	120	100
VNT24-120	24	7	.30	.075	120	100
VNT24-175	24	7-3/16	.34	.090	175	100
VNT34-175	34	10	.34	.090	175	200
VNT36-175	36	10-3/4	.34	.090	175	100
VNT41-175	41	12	.34	.090	175	100
VNT48-175*	48	15	.34	.090	175	100

Standard colour: Natural. UV Black available at an additional charge.

*gray colour.

COLOURED, FLUORESCENT AND STRIPED VALUE-LINE

Use **coloured** ties (add suffix **C**) as a convenient way to identify cables, or to just jazz up your packaging.

The standard duty 4", 5-1/2", 7" and 8" (40 lb.) ties are available in blue, gray, green, orange, red, yellow, purple and brown. (Exceptions: no 5-1/2" purple, no 7" brown.) The 11" tie is available in red

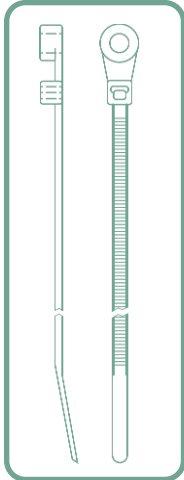
and the 14" tie comes in red or blue.

To really catch your customer's eye, try one of our exciting **fluorescent** colours (add suffix **F**): blue, green, orange, pink and yellow. These vibrant ties come in the 4", 5-1/2", 7", 8" (40 lb.) and 11" standard duty ties. Minimums available upon request.

The 4" tie is available **striped** (add suffix **S**). Stripes can be white, red, black, yellow or purple on tie colours of black, yellow or purple on tie colours of brown, orange, green, blue or gray. There are 25 different colour combinations for circuit identification. Available in packs of 50 or 1,000.

Nylon Cable Ties CONTINUED

VALUE-LINE – SCREW MOUNTABLE



Part No.	Approximate Length	Maximum Bundle Dia.	Minimum Tensile Strength	Suggested Mounting Screw Size	Minimum Order Qty.
Standard Duty					
VMNT5-30	6	1-1/4	30	8	1000
VMNT7-50	7-1/2	1-3/4	50	10	1000
VMNT11-50	11	3	50	10	1000
VMNT14-50	14-1/2	4	50	10	500
Heavy Duty					
VMNT14-120	14-1/2	4	120	1/4	100

UV Black available at an additional charge.

Care and Feeding of Nylon Cable Ties (and other nylon parts)

Here are the two most common problems that come up for customers using nylon cable ties. You will be pleased to know that these two problems can almost always be corrected without having to return the ties.

Brittle ties: When bags of cable ties are sealed at the factory, a few drops of water are added to keep the ties from drying out. Due to the nature of nylon, it is recommended that you not open sealed bags until you need to use the ties and that you re-seal them when

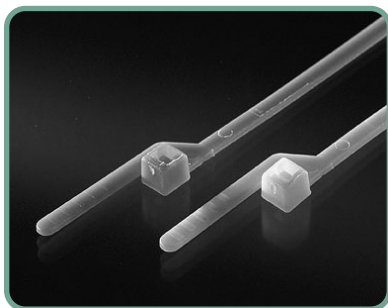
not in use. When storing bags of cable ties, keep them in an area where they won't be affected by heat and dry atmospheres. These suggestions hold true for most nylon parts.

If you find you have a bunch of ties that have become brittle, put them in a plastic bag with 1/4 teaspoon of water and seal the bag. (If you put in more water than that, the ties will get rubbery and you'll have to let them dry out again!) Leave them overnight. Chances are the next day the ties will be fine again. If, however, you still find the ties are brittle, please call us.

Locking mechanism "breaking out":

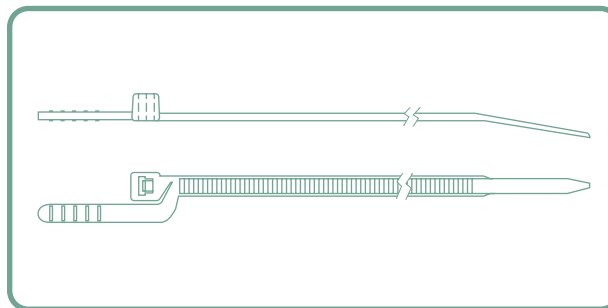
There are usually two reasons for this. The first is that the tension setting on the tightening tool/tie gun being used may be set too high and needs to be adjusted. The other reason is that the ties are being incorrectly tightened by hand. When inserting the tail into the locking mechanism, it should be pulled through in a straight line. It should not be pulled and bent back in the same manner one inserts a belt into a buckle.

E-Z OFF™



Our E-Z Off™ cable ties are the first permanent cable tie designed specifically to be quickly and safely removed by hand. They provide ease of application, a strong, secure locking device and easy removal without the need of a cutting device.

Simply pull down the tear-off arm located on the right side of the head of the tie.



Manufactured in either nylon or polypropylene, they are available in natural as well as red, blue, green, orange, yellow and black as standard colours. Special colours are also available.

They are perfect for securing shipping containers, attaching sports netting, tag attaching, tenting, temporary job-site cabling, agricultural uses, Tier 1 and 2 automotive suppliers or anywhere a tie is

used as a temporary securing device.

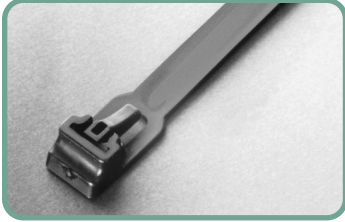
They are 5.5" and 8" in length and have a tensile strength of 50 lb. (nylon ties) or 40 lb. (polypropylene). Standard packaging is 1000 ties per bag.

Custom printing is also available. Please call for a quotation.



Nylon Cable Ties CONTINUED

RELEASABLE

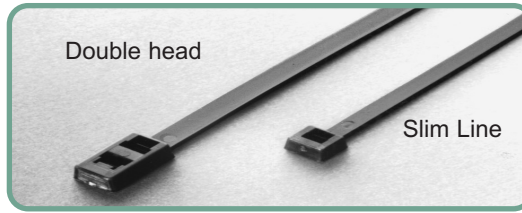
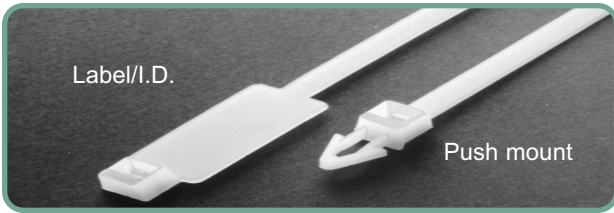


Ideal for use in prototype construction and in areas requiring servicing or addition of wires in existing situations.

Part No.	Overall Length	Maximum Bundle Diameter	Tensile Strength (lbs.)
RT 5-50	5-1/2	1-1/4	50
RT 6-50	6-1/2	1-3/8	
RT 8-50	8-1/2	2	
RT 9-50	10	2-1/2	
RT 15-150	15	4	175
RT 21-150	21	6	
RT 32-150	32	9	
RT 9-250	9	2	250
RT 20-250	20	5	
RT 22-250	23	6	
RT 29-250	29	8	
RT 35-250	35	10	
RT 41-250	40	12	

Minimums available on request.

BAR-LOK®



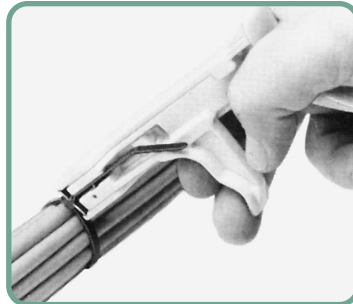
Part No.	Type	Length	Maximum Bundle Diameter	Min. Tensile Strength (lbs)
D 10325	Slim Line	8	2.125	18
D 10425	Double Head	7.5	1.750	50
D 10430	Double Head	11	3.000	50
D 8412	Label / I.D.	4	.875	18
D 8413	Label / I.D.	7.5	1.750	50
D 8414	Push Mount	7.5	1.750	50
D 10355	Push Mount	11	3.000	50

Minimum order 1000.
Packed in bags of 1000 only.

Nylon Cable Tie Tensioning Tools



Part No. 0998



Part No. 0999

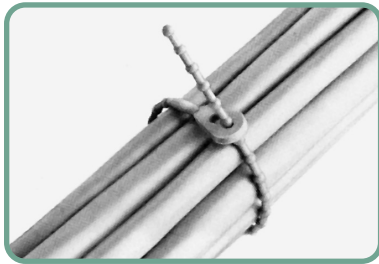
Part No. 0998

The standard tool fits all standard duty ties. Metal construction has three tension settings and automatically trims excess.

Part No. 0999

Use the "Twist Trim Tool", for standard duty ties. Low cost, durable construction. Tightens conventionally, then trims with a twist of the wrist. Also available in heavy-duty version.

Beaded Ties



Releasable and re-useable ties for easy binding, closing, bagging, holding and tying. Available in two materials: polyethylene for high flexibility and moderate strength, and nylon for less flexibility and more strength with high resistance to temperature and chemicals.

Polyethylene ties are stocked in red and

available in natural, black, blue, and yellow. Nylon ties are stocked in natural and also available in black. Please specify colour when ordering.

An adhesive backed mounting platform (Part No. **MPBTA**) is also available. Moulded of natural nylon, it may also be screw mounted.

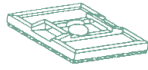
Part No.	Overall Length	Max. Bundle Diameter	Tensile Strength (lbs.)	Min. Order Qty.
Polyethylene				
4E	4-5/32	1-1/8	10	1,000
5E	5	1-3/8	10	1,000
6E	6-1/2	1-7/8	18	1,000
8E	8-11/16	2-1/2	18	1,000
10E	10-11/16	3	18	1,000
14E	14	4	18	500
Nylon				
4N	4-1/4	1-1/8	40	1,000
5N	5-3/32	1-3/8	40	1,000
6N	6-19/32	1-7/8	75	1,000
8N	8-7/8	2-1/2	75	1,000
10N	10-27/32	3	75	1,000
14N	14	4	75	500



Mounting Platforms



MP4AS



MP 2A
MP2S



MP4A
MP4S



MPPM250



MPS68
MPS10



MPLPM

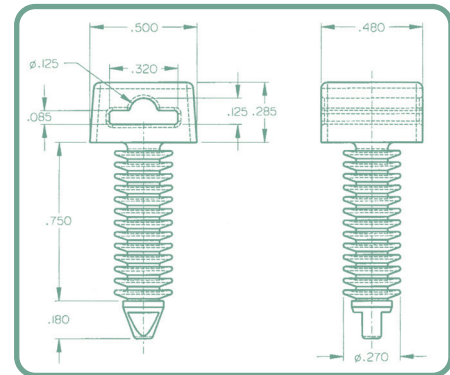
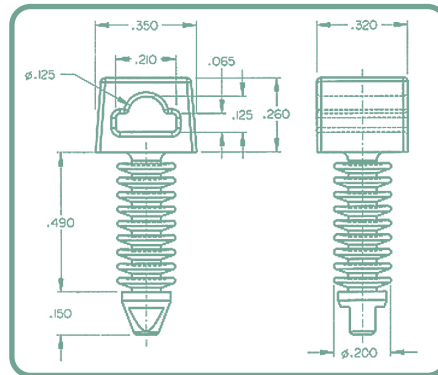
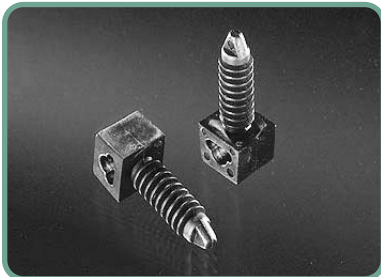
Part No.	Mounting Style	Screw Size	Base Size
MP4A-S	adhesive	—	51/64 sq.
MP2A	adhesive (w/opt. screw mt.)	(6)	1-7/64 sq.
MP2S	screw	6	1-7/64 sq.
MP4A	adhesive (w/opt. screw mt.)	(6)	1-9/64 sq.
MP4S	screw	6	1-9/64 sq.
MPPM250*	push mount	—	3/8 x 5/8 head
MPS68	screw	6-8	25/64 x 39/64
MPS10	screw	10	5/8 x 7/8
MPLPM	screw	8	31/64 x 47/64

Minimum order 500.

Colour: Stocked in natural white. Black available at an additional charge.

* mounts into .250 diameter hole.

RIBBED PUSH MOUNT PLATFORM



Moulded in black UV-stabilized high-density polyethylene, these push mounts are available in 2 sizes for 3/16" and 1/4" diameter holes. The special head configuration allows for use with beaded ties, as well as conventional cable ties. They are suitable for use in pre-drilled holes in wood, masonry and a variety of other materials.

Plastic Twisties



DOUBLE
WIRE



SINGLE
WIRE



T26-S ties are stocked in white, blue, green, red or yellow. Also available in black and orange.

All other ties are white. (Colours are available if total order exceeds 100M feet.)

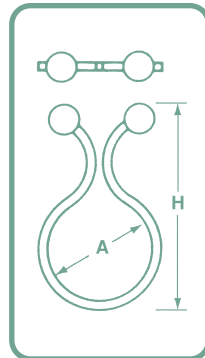
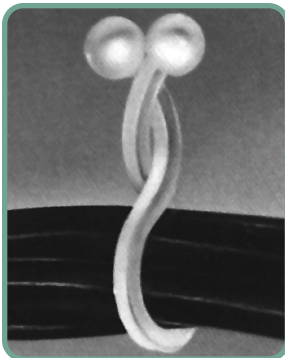
Wire diameters: 26 gauge is .017, 24 gauge is .023. Tie widths: T26-S is 5/32" wide. T26-D, T24-S and T24-D are 15/64" wide.

Ties are also available on rolls. Please call for a quote.

Part No.	Wires	Minimum Order Qty.
4" T24-S	single	10,000
4" T26-S	single	5,000
4" T24-D	double	10,000
4" T26-D	double	10,000
6" T24-S	single	10,000
6" T26-S	single	5,000
6" T24-D	double	10,000
6" T26-D	double	10,000
8" T24-S	single	10,000
8" T26-S	single	5,000
8" T24-D	double	10,000
8" T26-D	double	10,000
10" T24-S	single	10,000
10" T26-S	single	5,000
10" T24-D	double	10,000
10" T26-D	double	10,000
12" T24-S	single	10,000
12" T26-S	single	5,000
12" T24-D	double	10,000
12" T26-D	double	10,000

**Packed 500 per bundle. Must be ordered in multiples of 500.
Please specify colour when ordering.**

Twist Lock Ties



Purse action bundling ties offer a fast, economical way to securely position and hold wire, cable or tubing. A single twist of the finger locks bundle together; another twist opens lock to add or remove wires. The reusable Twist Lock is moulded of

tough, resilient Nylon 6/6 (UL 94V2). The following standard sizes are available from stock in natural nylon. Dyed colours can be furnished for an additional charge. Other sizes can be tooled on request.

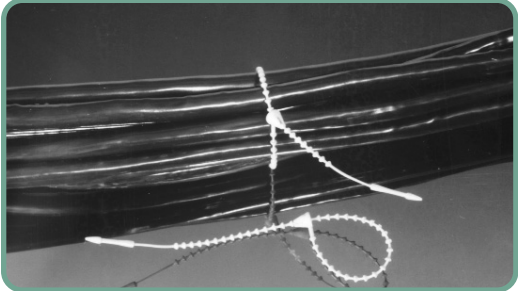
Part No.	Description	H	Dia. Range A
LL 187	3/16	.835	.15 -.20
LL 250	1/4	.875	.20 -.27
LL 375	3/8	1.100	.30 -.40
LL 500*	1/2	1.140	.40 -.50
LL 750	3/4	1.550	.70 -.80
LL 937	15/16	1.870	.90 - 1.00
LL 1125	1-1/8	2.170	1.20 - 1.30
LL 1375	1-3/8	2.670	1.45 - 1.55
LL 1500	1-1/2	2.930	1.55 - 1.65
LL 1750	1-3/4	3.460	1.90 - 2.00

*This size only comes with 1/2 ball closures which will not affect function or quality.



Security Ties

NYLON SECUR-A-TIE®



For bundling, harnessing, tagging, etc. where low tensile strength (18 lbs.) is sufficient. Fasten by hand down to 1/16" diameter. Can go through a hole as small as .078 (5/64). Ideal as a security seal (first aid boxes, meters).

Not reuseable. Will break if tampered with.

Part No.	Length	Max. Bundle Dia.	Box Qty.
D 8350	5	1-3/16	5,000
D 8320	8	2	2,000

Minimum order 1 box.

NYLON SECUR-A-TACH®

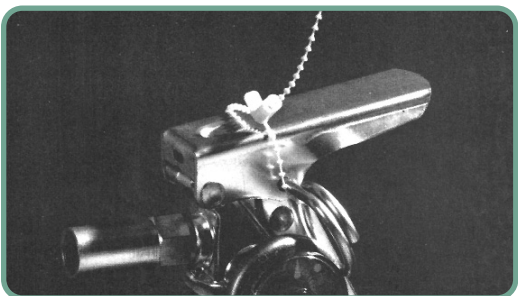


Ideal for attaching bags, keys, spare parts, tags, etc. Can go through a hole as small as .093 (3/32). Quicker and stronger than tying. Handy for tool cribs, repair depots. Take up little space in service kits. Not reuseable.

Part No.	Length	Loop Size
D 8302	3	1
D 8300	5	1-5/8
D 8301	9	3

Minimum order 1 box. Packed 5000 per box.

NYLON SECUR-A-SEAL™



These 8-inch long polypropylene ties are specifically designed for fire extinguisher applications. They have a tamper-proof seal and are designed to break at 8 to 15 lbs. Recognized under the component program of Underwriters Laboratories, Inc. File No. E3502 and Underwriters Laboratories of Canada Inc.

Sold only in full cartons of 20,000. Available in natural, red or yellow. Please specify colour when ordering.