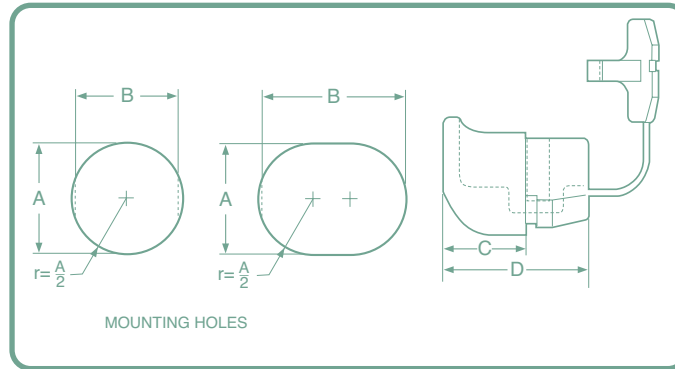




# Right Angle Strain Relief Bushings

FOR FLAT CABLES



Provides the same protection for your power supply cable as the straight-thru type and exits the cable flush against the chassis, saving space and directing the cable parallel to the panel.

Overcomes space limitations and acts as a back or bottom bumper.

Moulded of UL and CSA approved nylon 6/6.

Part No.	A Mounting Hole Dia.	B To Prevent Rotation	Maximum Thickness	UL Wire Designation	AWG/ Conductors	Approximate Size	C Head Length	D Body Length
SR13-1	.437	.390	.062	SPT-1	18/2	.12x.22	.234	.500
SR14A-1	.500	.450	.040	SPT-1	18/3	.12x.30	.390	.687
				SPT-2	18/2	.15x.28		
				HPN	16/2	.16x.30		
SR14-1	Same as SR14A-1 except		.100				.390	.687
SR16-1	.562	.525	.125	SPT-2	18/3	.15x.40	.500	.859
				SPT-3	18/2	.19x.35		
					16/2	.20x.37		
SR20-1**	.560**	.730**	.080	HPN	16/3	.16x.37	.406	.812
				SPT-2	18/3	.15x.40		
					16/3	.16x.41		
				SPT-3	18/2	.19x.35		
					18/3	.19x.39		
					16/2	.20x.37		
	16/3	.20x.43						
SR20L-1	Same as SR20-1 except		.125				.406	.812
SR23-1**	.750**	.875**	.125	SPT-3	16/2	.20x.37	.484	.937
					16/3	.20x.43		
					14/2	.24x.42		
					14/3	.24x.51		
SR24-1	.875	.840	.125	SPT-3	14/2	.24x.42	.500	.968
					14/3	.24x.51		
					12/2	.29x.51		
					12/3	.29x.65		
					10/3	.32x.66		
SR21-2	1.093	1.000	.125	SPT-3	10/3	.32x.66	.734	1.437

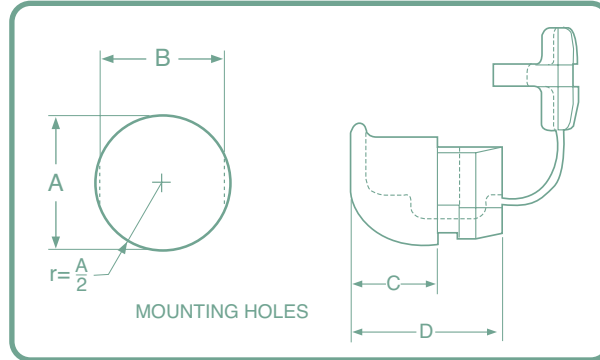
Standard colours: Black. White and other colours available at premium charge if quantities are sufficient.

\*\*Use elongated hole.



# Right Angle Strain Relief Bushings CONTINUED

## FOR ROUND CABLES



Provides the same protection for your power supply cable as the straight-thru type and exits the cable flush against the chassis, saving space and directing the cable parallel to the panel.

Overcomes space limitations and acts as a back or bottom bumper.

Moulded of UL and CSA approved nylon 6/6.

Part No.	A Mounting Hole Dia.	B To Prevent Rotation	Maximum Thickness	UL Wire Designation	AWG/ Conductors	Approximate Size	C Head Length	D Body Length
SR15-1	.500	.450	.100	SV & SVT	18/2	.250	.390	.687
	.500 -.515				18/3	.265		
	.500			HPD	18/2	.270		
	.500 -.515			16/2	.290			
SR10-2	.625	.550	.125	SJ, SJT & SJO	18/2	.300	.562	.968
					16/2	.325		
					18/3	.330		
					16/3	.330		
SR11-2	.625	.550	.125	SJ, SJT & SJO	16/2	.325	.562	.968
					18/3	.330		
					16/3	.355		
					18/3	.330		
SR11K-2	Same as SR11-2 except		.200				.562	.968
SR17-2	.750    .750 -.781	.660	.125	SJT	18/4	.360	.640	1.093
					14/3	.370		
				S & ST	18/2	.390		
					18/3	.405		
				16/2	.405			
				16/3	.430			

Standard colours: **Black.** White and other colours available at extra charge if quantities are sufficient.