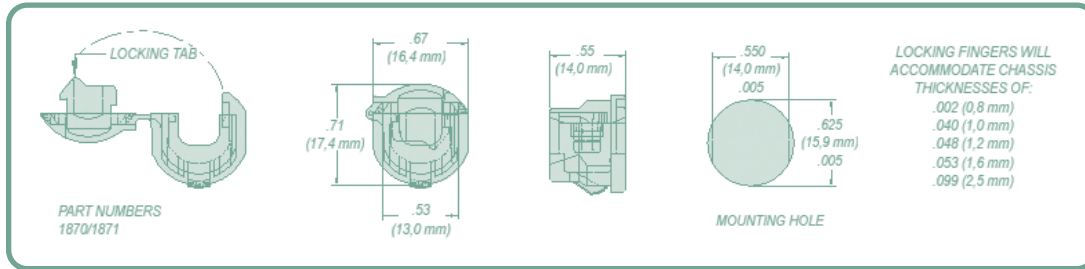




Lockit Strain Relief Bushings

RDD



RDD Round Wire Lockit and RDD Flat Wire Lockit are additions to our strain relief line.

Installs with fingertip pressure into an easily punched standard round or double "D" strain relief hole. Can be pre-assembled onto wire since chassis insertion isn't required to keep it locked on the wire.

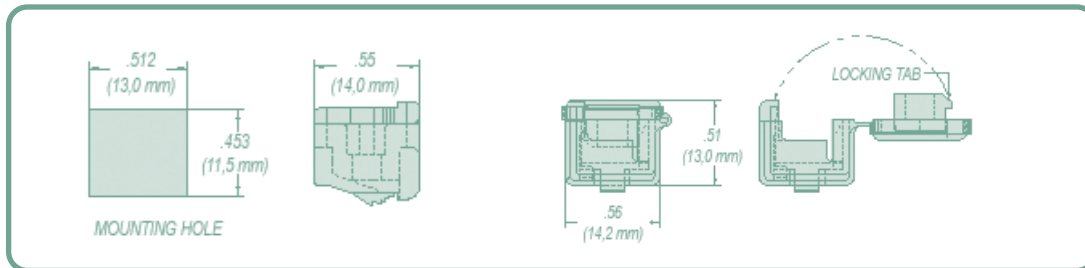
Multiple panel locking steps snug lockit strain relief into range

of panel thicknesses up to .187". UL recognized (far exceeds UL's 35 lb. pull-out test).

Moulded of UL and CSA approved nylon 6/6, these parts are available in black or white.

Automated application equipment (available separately) speeds assembly and lowers costs while reducing or eliminating repetitive manual assembly motions.

LOCKIT



Assembly friendly! Independent of insertion into the panel, Lockit Strain Reliefs self-lock on the cable. They may be pre-assembled offline for final assembly at a later time or remote location for lower installed cost. Perfect for jobs in the field.

Lockits protect the lifeline of your electrical/electronic products by absorbing the forces of push and pull that may be exerted on the flexible power cord. Their rectangular design eliminates the

possibility of part rotation under forces of twist. They hold so well they pass the UL pull-out test requirements without panel support.

Three finger design securely anchors into panel as thin as .032" and as thick as .157" for a neat, clean appearance. Five locking steps accommodate a wide range of thicknesses.

Moulded of UL and CSA approved nylon 6/6, these parts are available in black or white.

LOCKIT LABKITS



Our labkits are perfect for product design departments, experimental labs and for all prototype work.

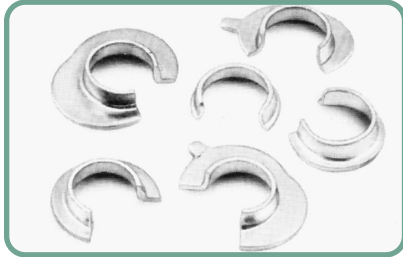
LABKIT 11 is an assortment of Lockit strain relief bushings with approximately the following quantities and part numbers. (Content may vary.)

- | | |
|--------|---|
| 8 each | RDD101-A, RDD101, RDD201-2, RDD201, RDD100A, RDD100, RDD200, RDD200-2, ST100N, ST200N, ST100L, ST101N, ST201N, ST301N |
| 6 each | RDD301-2, RDD301, RDD401, RDD501 |



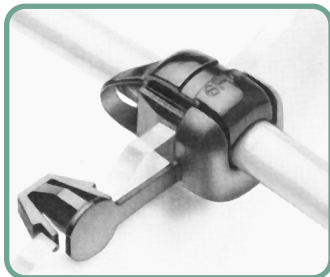
Strain Relief Bushings For other applications

METAL

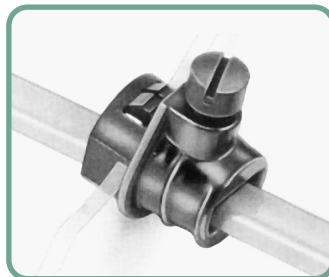


Made of plated steel, exclusively for round cables. These absorb pull force only (to help meet UL and CSA requirements). Easily assembled (with recommended hand pliers) to wire and cables inside the chassis.

FOR EUROPEAN REQUIREMENTS



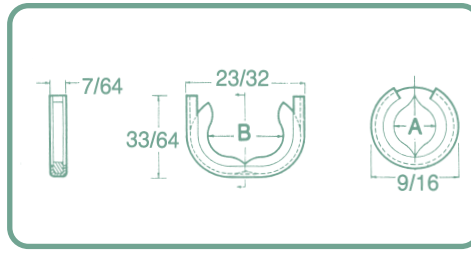
CEE Series



USR Series

For those of you dealing with overseas markets, a variety of strain reliefs suitable for meeting European requirements is available.

Gripmaster Strain Reliefs



Provides reliable terminal protection for all types of cord-equipped appliances and instruments where space is limited and high volume production is required.

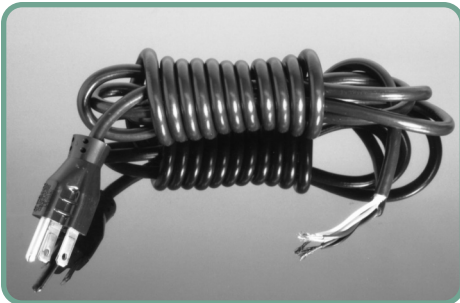
The Gripmaster has a fibre insulating material retained in a cold-rolled steel frame. When applied, it forms a compact, rugged ring that firmly grips the cord.

Part No.	Approx. Wire Diameter	A	B
GRIPMASTER #1	.250	.187	.343
GRIPMASTER #2	.312	.250	.406
GRIPMASTER #3	.187	.125	.281
GRIPMASTER #6	.343	.312	.453

Minimum order 1000.

Gripmaster Hand Tool available (fits all sizes).

Power Supply Cords



Typical applications:

Jacketed cords: **SVT**-type is used for light duty appliances, vacuum cleaners, business machines. **SJT**-type is similar to SVT, but has heavier insulation, and is used for portable drills, portable lamps, appliances, refrigerators and washers.

Parallel cords: **HPN**-type is a heater cord and is used for coffee makers, toasters, irons, portable heaters.

Descriptions:

SVT & SJT cords: three-prong male plug on one end, other end outer jacket removed 2" and stripped 1/2".

HPN cords: three-prong male plug one end, other end split 2" and stripped 1/2".

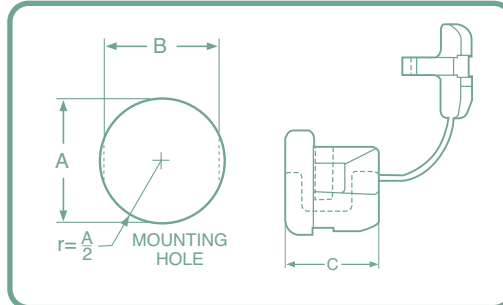
Part No.	Description
Jacketed	
CORD #1	8 ft., SVT 18/3, 105°C
CORD #3	8 ft., SJT 18/3, 105°C
CORD #4	4 ft., SJT 18/3, 105°C
CORD #5	8 ft., SJT 16/3, 105°C
CORD #6	8 ft., SJT 14/3, 105°C
Parallel	
CORD #7	8 ft., HPN 18/3, 90°C
CORD #8	8 ft., HPN 16/3, 90°C

Colour: Black only.



Straight-Thru Strain Relief Bushings

FOR FLAT CABLES



The original strain relief—the first and still the best.

Moulded of nylon 6/6 and UL and CSA certified, these strain reliefs protect the life-line of your electronic/electrical products by absorbing the forces of push, pull and twist that may be exerted on the flexible power cord.

They securely anchor, insulate and protect cables at panel entry points.

Part No.	A Mounting Hole Dia.	B To Prevent Rotation	Maximum Thickness	UL Wire Designation	AWG/ Conductors	Approximate Size	C Body Length
SR2P-4	.375	.345	.062	Clock SPT-1	20/2 18/2	.09x.18 .11x.21	.406 .406
SR2L-1	Same as SR2P-4 except		.125				
SR3A-4	.437	.390	.040*	SPT-1	18/2	.12x.22	.406
SR3P-4	Same as SR3A-4 except		.062				.406
SR3W-1	Same as SR3A-4 except		.100				.406
SR3L-1	Same as SR3A-4 except		.156				.406
SR4P-4	.500	.445	.100	SPT-1	18/2	.12x.22	.440
SR4N-4	.500	.465	.062	SPT-1 HPN	18/3 18/2	.12x.30 .15x.28	.406
SR4K-4	Same as SR4N-4 except		.100				
SR4L-4	Same as SR4N-4 except		.156				
SR4K-1	.500 .500 -.515	.460 .460	.095	SPT-1 SPT-2 & HPN HPN SPT-2 & HPN	18/3 18/2 18/3 16/2	.12x.30 .15x.28 .15x.34 .16x.30	.500
SR4L-1	Same as SR4K-1 except		.187				
SR5KN-4	.562	.530	.062	SPT-3 SPT-3 SPT-2 SPT-2	18/2 16/2 18/3 16/3	.19x.35 .20x.37 .15x.40 .16x.41	.609
SR5K-4	Same as SRKN-4 except		.125				
SR6N4-4	.625	.550	.062	SPT-2 SPT-2	18/3 16/3	.15x.40 .16x.41	.578
SR6P4-4	Same as SR6N4-4 except		.125				
SR5W-1	.562	.530	.125	HPN & SPT-2	16/3 18/3 16/3	.16x.37 .15x.40 .16x.41	.609

Standard colour: Black. White and other colours available at premium charge if quantities are sufficient.

Continued

*To install strain reliefs for .040" maximum panel thickness, use R291 hand pliers.



Straight-Thru Strain Relief Bushings

FOR FLAT CABLES *CONTINUED*

Part No.	A Mounting Hole Dia.	B To Prevent Rotation	Maximum Thickness	UL Wire Designation	AWG/ Conductors	Approximate Size	C Body Length	
SR30-1**	.560**	.730**	.125	SPT-2	18/3	.15x.40	.672	
					16/3	.16x.41		
				SPT-3	18/2	.19x.35		
					18/3	.19x.39		
					16/2	.20x.37		
SR33-1**	.750**	.875**	.125	SPT-3	16/3	.20x.43	.781	
					16/2	.20x.37		
					16/3	.20x.43		
					14/2	.24x.42		
					14/3	.24x.51		
SR34-2	.875	.840	.125	SPT-3	14/2	.24x.42	.813	
					14/3	.24x.51		
					12/2	.29x.51		
					12/3	.29x.65		
SR31-2	.875	.840	.125	SPT-3	12/3	.32x.65	.813	
SR300-1**	.375 .375 .390 .415 .422 .422 .437	.625 -.640	.156	300 OHM†	SPT-1	18/3	.06x.40	.469
						18/3	.12x.30	
				SPT-2	18/3	.12x.30		
					18/3	.15x.40		
					18/3	.15x.40		
					16/3	.16x.41		
SR302-1**	Same as SR300-1 except		.100			.469		

Standard colours: Black. White and other colours available at extra charge if quantities are sufficient.

**Use elongated hole.

†Wire is not UL/CSA covered.

FOR FLAT CABLES with flex-protecting internal radii

Part No.	A Mounting Hole Dia.	B To Prevent Rotation	Maximum Thickness	UL Wire Designation	AWG/ Conductors	Approximate Size	C Body Length
SR4A-6	.500	.465	.040*	SPT-1	18/3	.12x.30	.546
				SPT-2 & HPN	18/2	.15x.28	.546
SR4N-6	Same as SR4A-6 except		.062				
SR4K-6	Same as SR4A-6 except		.100				

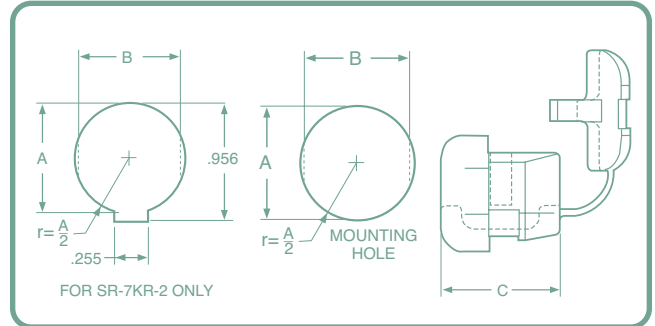
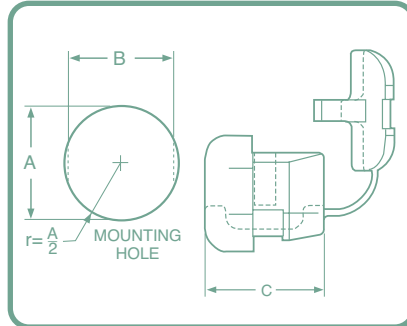
Standard colours: Black. White and other colours available at extra charge if quantities are sufficient.

*To install strain reliefs for .040" maximum panel thickness, use R291 hand pliers.



Straight-Thru Strain Relief Bushings CONTINUED

FOR ROUND CABLES



Part No.	A Mounting Hole Dia.	B To Prevent Rotation	Maximum Thickness	UL Wire Designation	AWG/ Conductors	Approximate Size	C Body Length
SR2M-1	.375	.330	.062	AWM	--	.125 -.187*	.406
SR5MN-3	.500	.450	.062	SV & SVT	18/2	.220 -.245	.438
SR5M-3	Same as SR5MN-3 except		.100				.438
SR5N-4	.500	.450	.062	SV	18/2	.250	.438
	.500 -.515			SVT	18/3	.255	
	.500			HPD	18/2	.270	
	.500 -.515				16/2	.290	
SR5P-4	Same as SR5N-4 except		.100				.438
SR5L-1	Same as SR5N-4 except		.156				.438
SR5P3-4	.500	.450	.100	SV & SVT	18/3	.255	.438
				HPD	16/2	.290	.438
SR6W-1	.500	.465	.090	SJ, SJT & SJO	18/2	.300	.578
SR6N-4	.625	.550	.062	SJ, SJT & SJO	18/2	.300	.578
SR6P-4	Same as SR6N-4 except		.125				.578
SR6N3-4	.625	.550	.062	SJ, SJT & SJO	16/2	.325	.578
					18/3	.330	
					14/2	.350	
					16/3	.355	
					18/4	.360	
SR6P3-4	Same as SR6N3-4 except		.125				.578
SR6L-1	.625	.550	.156	SJ, SJT & SJO	18/2	.300	.678
	.656				16/2	.325	
	.656				18/3	.330	
	.687				16/3	.355	
SR7K-2	.875	.770	.125	SJ, SJT & SJO	16/2	.325	.750
					18/3	.330	
					14/2	.350	
					16/3	.355	
					18/4	.360	
SR7KR-2	Same as SR7K-2 except		See Schematic				.750

Standard colours: Black. White and other colours available at extra charge if quantities are sufficient.

Continued

*AWM cable only.



Straight-Thru Strain Relief Bushings

FOR ROUND CABLES *CONTINUED*

Part No.	A Mounting Hole Dia.	B To Prevent Rotation	Maximum Thickness	UL Wire Designation	AWG/ Conductors	Approximate Size	C Body Length
SR7N-2	.750	.660	.062	SJT	18/4	.360	.750
					14/3	.370	
				S & ST	18/2	.390	
					18/3	.405	
					16/2	.405	
					16/3	.430	
SR7P-2	Same as SR7N-2 except		.125			.750	
SR7W-2	.875	.770	.125	SJT	14/3	.370	.750
					12/3	.425	
				S & ST	18/2	.390	
					18/3	.405	
					16/2	.405	
					16/3	.430	
SR7L-2	Same as SR7W-2 except		.200			.750	
SR31-2	.875	.840	.125	SJT	12/3	.425 -.475	.812
SR8N-2	.875	.840	.062	S & ST	14/2	.530	.828
					14/3	.560	
				12/2	.600		
SR8P-2	Same as SR8N-2 except		.125				.812
SR8L-2	Same as SR8N-2 except		.187				
SR9P-2	1.093	1.000	.281	S	12/2	.600	1.000
					12/3	.635	
				S, ST & SO	10/2	.640	
					10/3	.690	

Standard colours: Black. White and other colours available at premium charge if quantities are sufficient.

STRAIN RELIEF LABKITS



Our labkits are perfect for product design departments, experimental labs and for all prototype work.

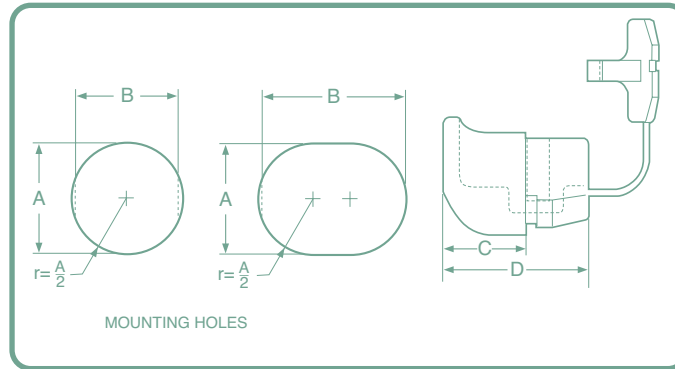
LABKIT 1 is an assortment of strain reliefs with approximately the following quantities and part numbers. (Content may vary.)

20 each	SR3P-4
15 each	SR4N-4, SR5P-4, SR6W-1, SR6N3-4
10 each	SR5K-4, SR4K-6, SR14-1, SR8R-200
8 each	SR4N-5, SR5N-5
6 each	SR7P-2, SR11-2
5 each	SR30-1, SR5N-7
4 each	SR8P-2, SR4N-7
1 each	SR9P-2



Right Angle Strain Relief Bushings

FOR FLAT CABLES



Provides the same protection for your power supply cable as the straight-thru type and exits the cable flush against the chassis, saving space and directing the cable parallel to the panel.

Overcomes space limitations and acts as a back or bottom bumper.

Moulded of UL and CSA approved nylon 6/6.

Part No.	A Mounting Hole Dia.	B To Prevent Rotation	Maximum Thickness	UL Wire Designation	AWG/ Conductors	Approximate Size	C Head Length	D Body Length
SR13-1	.437	.390	.062	SPT-1	18/2	.12x.22	.234	.500
SR14A-1	.500	.450	.040	SPT-1	18/3	.12x.30	.390	.687
				SPT-2	18/2	.15x.28		
				HPN	16/2	.16x.30		
SR14-1	Same as SR14A-1 except		.100				.390	.687
SR16-1	.562	.525	.125	SPT-2	18/3	.15x.40	.500	.859
				SPT-3	18/2	.19x.35		
					16/2	.20x.37		
				HPN	16/3	.16x.37		
SR20-1**	.560**	.730**	.080	SPT-2	18/3	.15x.40	.406	.812
					16/3	.16x.41		
				SPT-3	18/2	.19x.35		
					18/3	.19x.39		
					16/2	.20x.37		
					16/3	.20x.43		
SR20L-1	Same as SR20-1 except		.125				.406	.812
SR23-1**	.750**	.875**	.125	SPT-3	16/2	.20x.37	.484	.937
					16/3	.20x.43		
					14/2	.24x.42		
					14/3	.24x.51		
SR24-1	.875	.840	.125	SPT-3	14/2	.24x.42	.500	.968
					14/3	.24x.51		
					12/2	.29x.51		
					12/3	.29x.65		
SR21-2	1.093	1.000	.125	SPT-3	10/3	.32x.66	.734	1.437

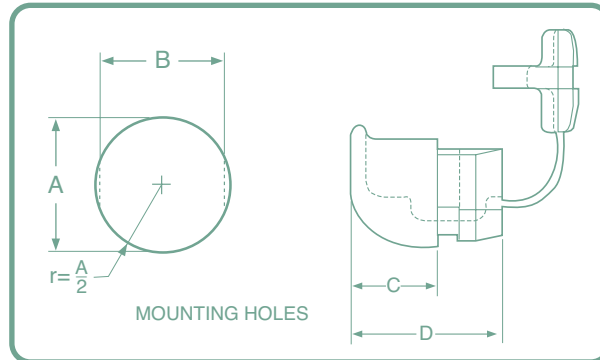
Standard colours: Black. White and other colours available at premium charge if quantities are sufficient.

**Use elongated hole.



Right Angle Strain Relief Bushings CONTINUED

FOR ROUND CABLES



Provides the same protection for your power supply cable as the straight-thru type and exits the cable flush against the chassis, saving space and directing the cable parallel to the panel.

Overcomes space limitations and acts as a back or bottom bumper.

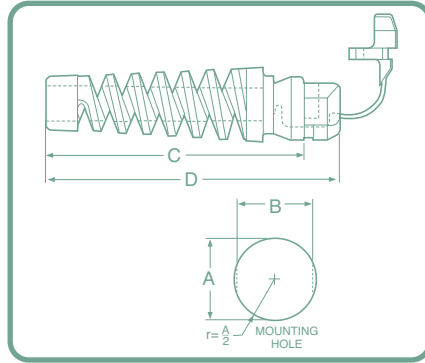
Moulded of UL and CSA approved nylon 6/6.

Part No.	A Mounting Hole Dia.	B To Prevent Rotation	Maximum Thickness	UL Wire Designation	AWG/ Conductors	Approximate Size	C Head Length	D Body Length
SR15-1	.500	.450	.100	SV & SVT	18/2	.250	.390	.687
	.500 -.515				18/3	.265		
	.500			HPD	18/2	.270		
	.500 -.515			16/2	.290			
SR10-2	.625	.550	.125	SJ, SJT & SJO	18/2	.300	.562	.968
					16/2	.325		
					18/3	.330		
					16/3	.330		
SR11-2	.625	.550	.125	SJ, SJT & SJO	16/2	.325	.562	.968
					18/3	.330		
					18/3	.330		
					16/3	.355		
SR11K-2	Same as SR11-2 except		.200				.562	.968
SR17-2	.750 -.750 -.781	.660	.125	SJT	18/4	.360	.640	1.093
					14/3	.370		
				S & ST	18/2	.390		
					18/3	.405		
				16/2	.405			
				16/3	.430			

Standard colours: **Black.** White and other colours available at extra charge if quantities are sufficient.

Pigtail Strain Relief Bushings

FOR FLAT CABLES with integral nylon spring



These nylon 6/6 UL and CSA approved parts protect the lifeline of your electrical/electronic products by absorbing forces of pull, push, twist and flex.

Add reliability, longevity and safety. Will pass CSA's 50,000 cycle 'vacuum cleaner' test. Securely anchors, insulates and protects cables at panel entry points.

Integral nylon spring eases the cable into a lazy bend and prevents sharp bending; assures longest cable and product life. They are not recommended for applications where the power supply cord is subject to whipping or 'jump rope' type motion.

Part No.	A Mounting Hole Dia.	B To Prevent Rotation	Maximum Thickness	UL Wire Designation	AWG/ Conductors	Approximate Size	C Extension Length	D Body Length
SR4N-7	.500	.465	.062	SPT-1	18/3	.12x.30	1.718	1.984
				SPT-2 & HPN	18/2	.15x.28		

Standard colours: Black. White and other colours available at premium charge if quantities are sufficient.

FOR ROUND CABLES with integral nylon spring

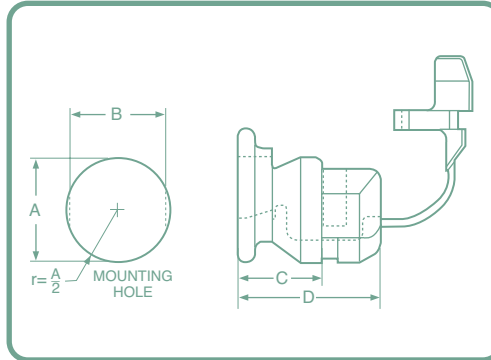
Part No.	A Mounting Hole Dia.	B To Prevent Rotation	Maximum Thickness	UL Wire Designation	AWG/ Conductors	Approximate Size	C Extension Length	D Body Length
SR5N-7	.500 -.515	.450	.062	SV & SVT	18/2	.250	1.703	1.984
					18/3	.255		
				HPD	18/2	.270		
					16/2	.290		
SR5P-7	Same as SR5N-7 except		.125				1.703	1.984
SR6N-7	.625	.550	.062	SJ,SJO&SJT	18/2	.300	1.718	2.109
SR6P-7	Same as SR6N-7 except		.125				1.718	2.109
SR6N3-7	.625	.550	.062	SJ, SJO & SJT	16/2	.315	1.718	2.109
					18/3	.320		
					14/2	.350		
					16/3	.355		
					18/4	.360		
SR6P3-7	Same as SR6N3-7 except		.125				1.718	2.109
SR7P-7	.750 -.781	.660	.125	SJT S & ST	18/4	.360	2.156	2.598
					14/3	.370		
					18/2	.390		
					18/3	.405		
					16/2	.405		
					16/3	.430		

Standard colours: Black. White and other colours available at premium charge if quantities are sufficient.



Bell-Mouth Strain Relief Bushings

FOR FLAT CABLES



These nylon 6/6 UL and CSA approved parts protect the lifeline of your electrical/electronic products by absorbing forces of pull, push, twist and flex.

Securely anchors, insulates and protects cables at panel entry points.

Flared trumpet exit eases the cable into a lazy bend, prevents sharp bending and assures longer cable and product life.

Part No.	A Mounting Hole Dia.	B To Prevent Rotation	Maximum Thickness	UL Wire Designation	AWG/ Conductors	Approximate Size	C Head Length	D Body Length	
SR2P-5	.375	.330	.062	Clock	20/2	.09x.18	.375	.625	
				SPT-2	18/2	.11x.21			
SR3P-5	.437	.390	.062	SPT-1	18/2	.12x.22	.375	.625	
SR4N-5	.500	.465	.062	SPT-1	18/3	.12x.30	.406	.703	
	.500			SPT-2 & HPN	18/2	.15x.28			
	.500 -.515			16/2	.16x.30				
SR6K-5	.625	.550	.125	HPN	18/3	.15x.34	.406	.813	
					16/3	.16x.37			
					SPT-2	16/2			.16x.30
					16/3	.16x.41			

FOR ROUND CABLES

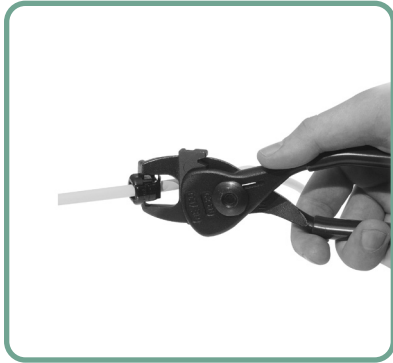
Part No.	A Mounting Hole Dia.	B To Prevent Rotation	Maximum Thickness	UL Wire Designation	AWG/ Conductors	Approximate Size	C Head Length	D Body Length	
SR5N-5	.500	.450	.062	SV & SVT	18/2	.250	.406	.688	
	.500 -.515				18/3	.255			
	.500				HPD	18/2			.270
	.500 -.515				16/2	.290			
SR6P-5	.625	.550	.125	SJ,SJO&SJT	18/2	.300	.421	.813	
SR6P2-5	.625	.550	.125	SJ,SJO&SJT	16/2	.315	.421	.813	
					18/3	.320			
					16/2	.325			
					18/3	.330			
					14/2	.350			
SR6N3-5	.625	.550	.062	SJ,SJO&SJT	16/2	.325	.421	.813	
					18/3	.330			
					14/2	.350			
					16/3	.355			
SR6P3-5	Same as SR6N3-5 except	.550	.125	SJ,SJO&SJT	18/4	.360	.468	.813	
					16/3	.355			

Standard colours: **Black. White and other colours available at premium charge if quantities are sufficient.**



Strain Relief Assembly Pliers

R29 and R30



R29 hand pliers are adjustable for all Heyco strain relief bushings (except SR3A-4 and SR4A-6) that assemble into holes up to 7/8" diameter.

R30 adjustable hand pliers are for use with strain relief bushings that assemble into 3/4" and larger diameter holes.

R291 (not shown) hand pliers are adjustable for parts SR3A-4 and SR4A-6 only.

R301 (not shown) hand pliers are adjustable for parts SR7N-2 and SR8N-2 only.

R100



R100 hand pliers are designed specifically for Lockit strain relief bushings (excluding ST201N). Please call us for information on semi-automatic assembly equipment.

Air Tool



Hand air tool eliminates operator fatigue and improves assembly rates. Activated with a flap handle, the air tool has interchangeable jaws to cover our entire range of strain reliefs. The included air fittings and hose make connection to your compressed air system a snap.

One set of jaws is furnished with each air tool. A different set of jaws is needed for each mounting hole diameter and special jaws are required for SR3A-4 and SR4A-6. Please advise both the mounting hole size and the strain relief part number when ordering an air tool or air tool jaws.

There is a **conversion kit** available which provides the necessary components to convert a hand air tool to a bench mounted unit. The bench air tool can be mounted in any convenient position on the assembly area work surface. Unit is foot activated, leaving the operator's hands free.