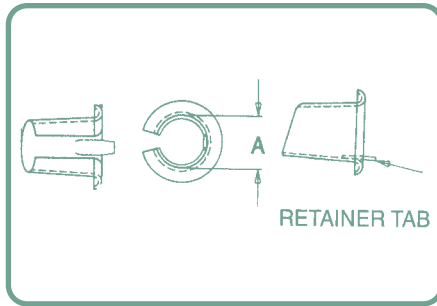
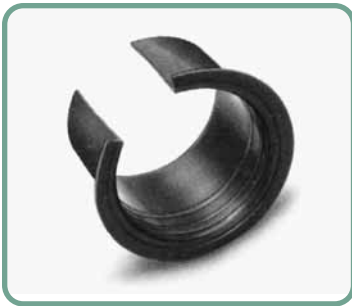




Armour (Anti-Short) Bushings



Used at entrance to flexible metallic conduit or armoured cable. Insulates and protects electrical wires from being cut by rough conduit ends. Chamfered lead-in allows for fast installation. Also used in holes through which ropes and steel cables pass, to prevent chafing, cutting or scraping, where bushing space is very limited. Suitable for installation at temperatures as low as -40°F.

Part No.	Will Fit These Armoured Cables	Fits Cable ID	A Inside Dia.
AB0	14/2, 14/3, 12/2, 12/3	.29 -.33	.37
AB1	14/4, 6/1, 4/1,	.33 -.42	.44
AB2	12/4, 10/2, 10/3, 2/1	.43 -.57	.57
AB3	10/4, 8/2, 8/3, 1/1	.58 -.72	.73

Minimum order 1000.
Standard colour: Red.

BUSHING ASSORTMENT LABKIT



Our labkits are perfect for product design departments, experimental labs and for all prototype work.

LABKIT 2 is an assortment of bushings with approximately the following quantities and part numbers. (Content may vary.)

25 each	SB250-2, B312-250, SB375-4, OCB375, SB437-5
20 each	SBT500-6, UBT500
15 each	OCB500, UB625
10 each	OCUB625, B875-750, SUB875
8 each	OCUB750, UB875
4 each	SBT1093-15, SB1000-12, SB1375-16
2 each	SB1750-22