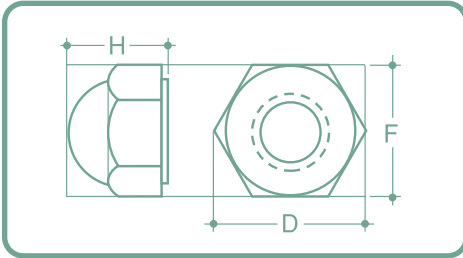
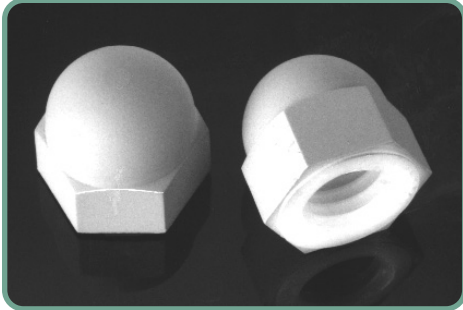


Nylon Cap Nuts

STANDARD

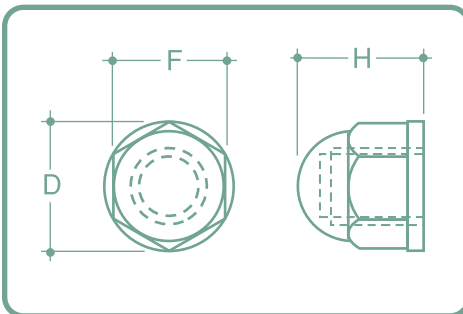
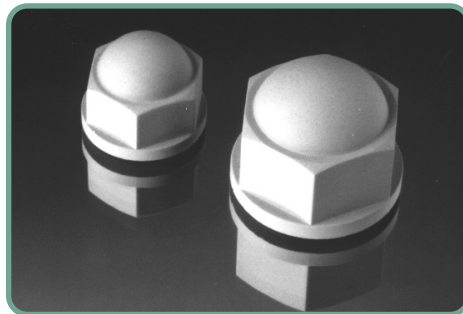


Part No.	F	D	H
CN 4/40	.250	.275	.280
CN 6/32	.305	.350	.345
CN 8/32	.330	.385	.375
CN 10/24	.365	.420	.400
CN 10/32	.365	.420	.400
CN 1/4-20*	.425	.510	.475
CN 5/16-18	.500	.575	.530
CN 3/8-16	.560	.630	.620
CN 1/2-13	.750	.860	.810
CN 5/8-11	.925	1.050	1.000

Minimum order 100.

*No washer face.

LOCKING



Part No.	F	D	H
LCN 4/40	.250	.281	.275
LCN 6/32	.312	.363	.312
LCN 8/32	.343	.400	.312
LCN 10/24	.375	.432	.390
LCN 10/32	.375	.432	.390
LCN 1/4-20	.437	.490	.475
LCN 5/16-18	.562	.635	.525
LCN 5/16-24*	.562	.635	.525
LCN 3/8-16	.625	.715	.610
LCN 3/8-24*	.625	.715	.610
LCN 1/2-13	.812	.934	.905
LCN 1/2-20*	.812	.934	.905

Minimum order 1000.

*Minimum order 5000.