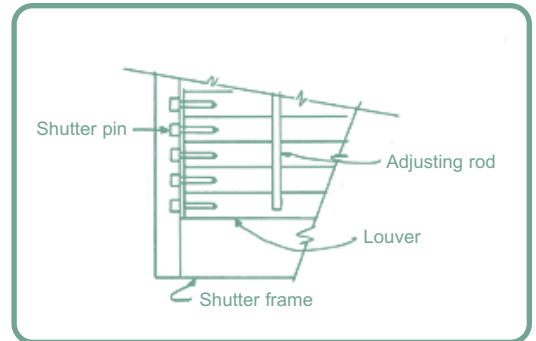
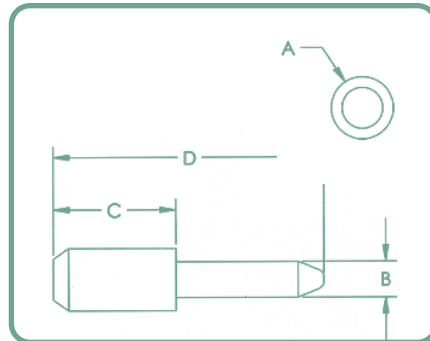
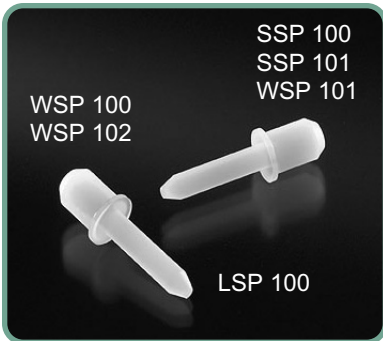




## Shutter Pins

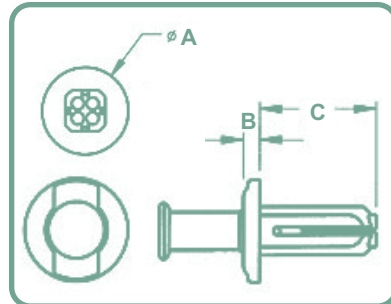
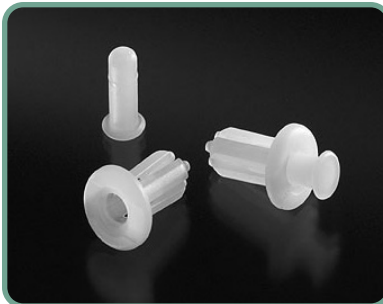


Part Number	A Head Diameter	B Pin Diameter	C Head Length	D Overall Length
LSP 100	.240	.140	.375	1.030
WSP 100*	.243	.140	.484	1.063
WSP 101*	.243	.140	.484	.883
WSP 102*	.243	.117	.484	1.063
SSP 100	.215	.117	.375	.906
SSP 101	.280	.117	.375	.906

\*With flange.



## Two-Piece Removable Rivets



These two-piece nylon rivets can be removed by retracting the pin and then the body. The body incorporates a slot line with the pin so that the pin can be removed by inserting a small screwdriver or even a fingernail or other sharp object underneath the head of the pin.

Part No.	A Head Diameter	B Head Thickness	C Prong Length	Hole Size	Panel Thickness
PPR 188-062	3/8	.07	1/2	.188	1/16
PPR 188-125	3/8	.07	1/2	.188	1/8
PPR 250-500*	7/16	.07	1/2	.250	1/16
PPR 250-125	7/16	.07	1/2	.250	1/8
PPR 250-188	7/16	.07	1/2	.250	3/16

\*In addition to working in a .250 hole, this part will also fit the .210/.218" square hole found in the 'darling' type shelf commonly used in retail stores.